

SANI-LAV[®] COLUMBIA PRODUCTS

Stainless Steel Pharma Scoops



Model 43RD



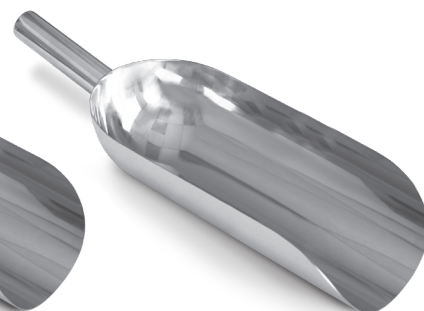
Model 44RD



Model 40RD



Model 41RD



Model 45RD



Model 42SQ



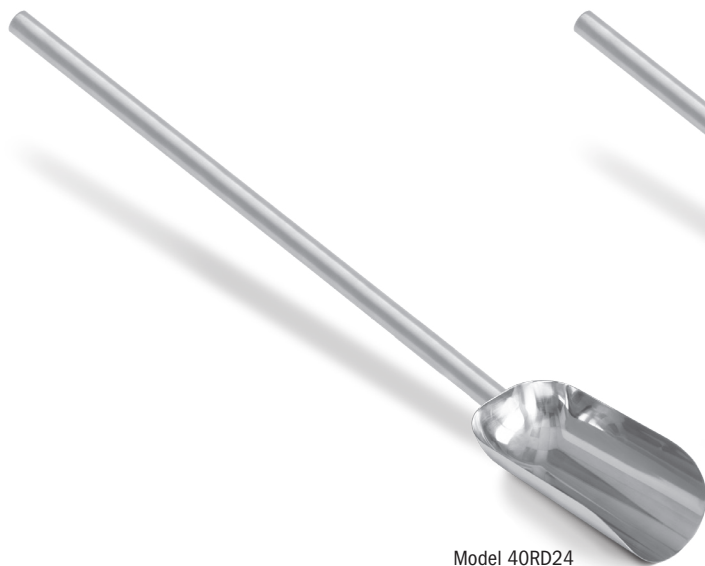
Model 40RB



Model 41RB



Model 45RB



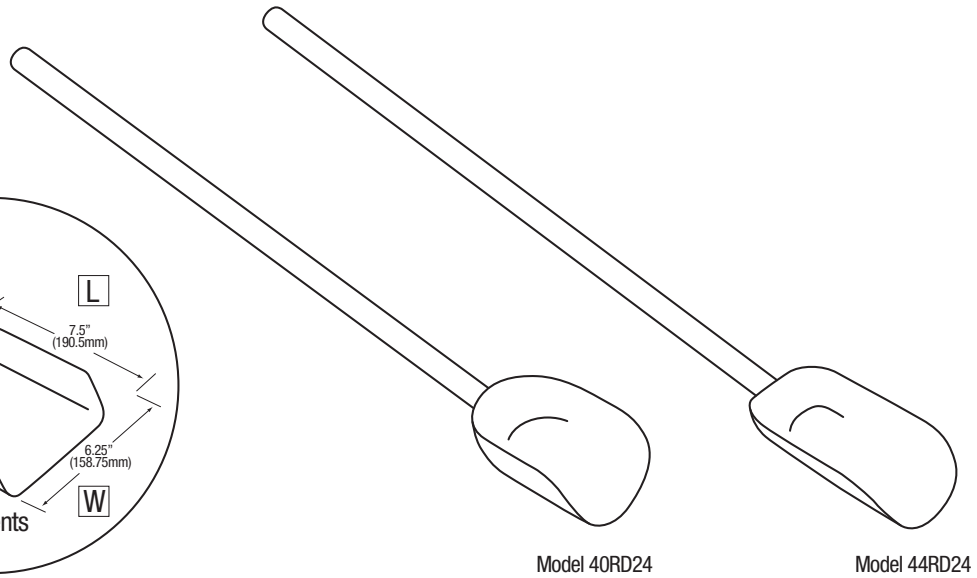
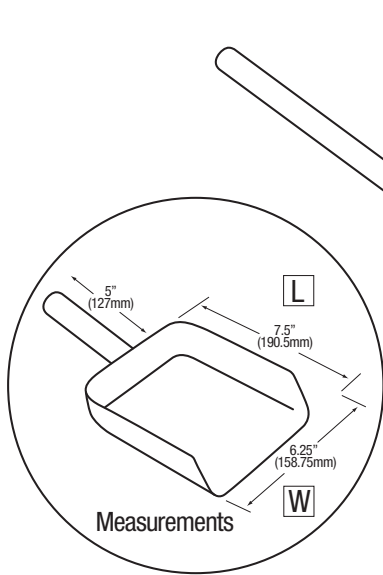
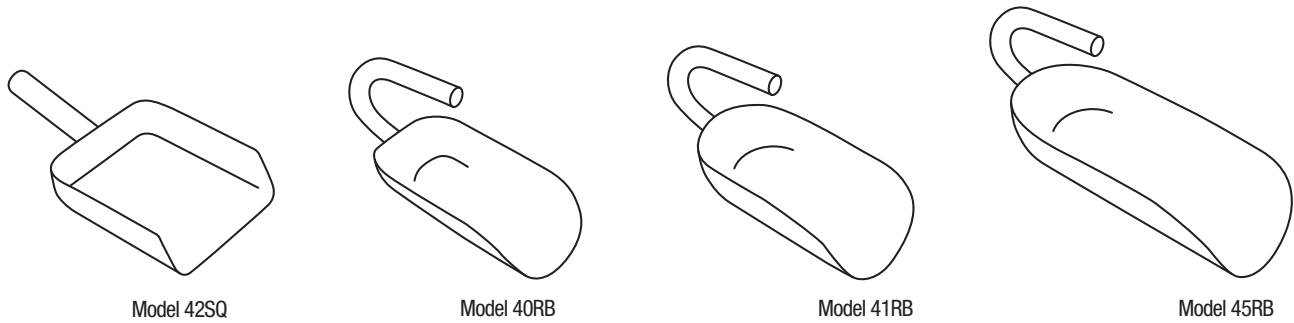
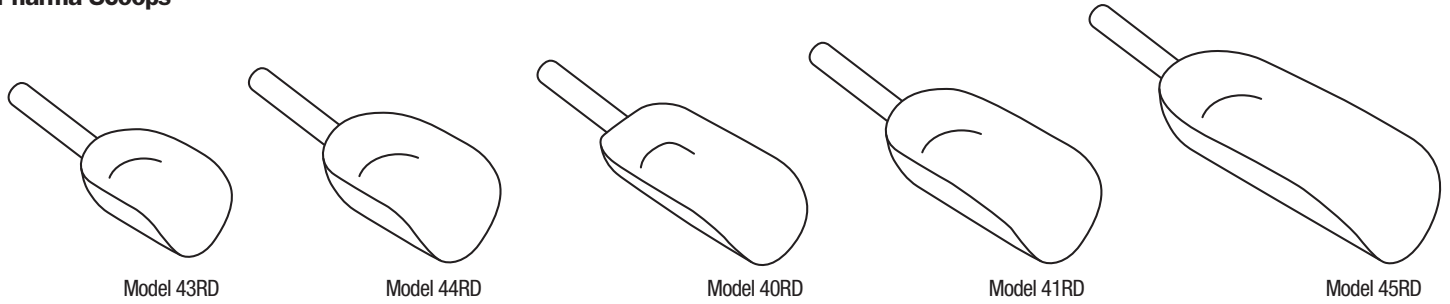
Model 40RD24



Model 44RD24



Pharma Scoops



Pharma Scoops

Model	Size	Bowl Dimensions	Handle Size
43RD	8 oz. Round bottom	W 4" (101.6mm) x L 6" (152.4mm)	5" (127mm)
44RD	16 oz. Round bottom	W 5" (127mm) x L 7.75" (196.85mm)	5" (127mm)
40RD	32 oz. Round bottom	W 5" (127mm) x L 9" (228.6mm)	5" (127mm)
41RD	50 oz. Round bottom	W 5.5" (139.7mm) x L 9" (228.6mm)	5" (127mm)
45RD	64 oz. Round bottom	W 6" (152.4mm) x L 12" (228.6mm)	5" (127mm)
42SQ	50 oz. Square bottom	W 6.25" (158.75mm) x L 7.5" (190.5mm)	5" (127mm)
40RB	32 oz. Round bottom	W 4.875" (123.8mm) x L 9" (228.6mm)	Curved Handle: 5" (127mm)
41RB	50 oz. Round bottom	W 5.5" (139.7mm) x L 9" (228.6mm)	Curved Handle: 5" (127mm)
45RB	64 oz. Round bottom	W 6" (152.4mm) x L 12" (228.6mm)	Curved Handle: 5" (127mm)
44RD24	16 oz. Round bottom	W 5" (127mm) x L 7.75" (196.85mm)	24" (609.6mm)
40RD24	32 oz. Round bottom	W 5" (127mm) x L 9" (228.6mm)	24" (609.6mm)